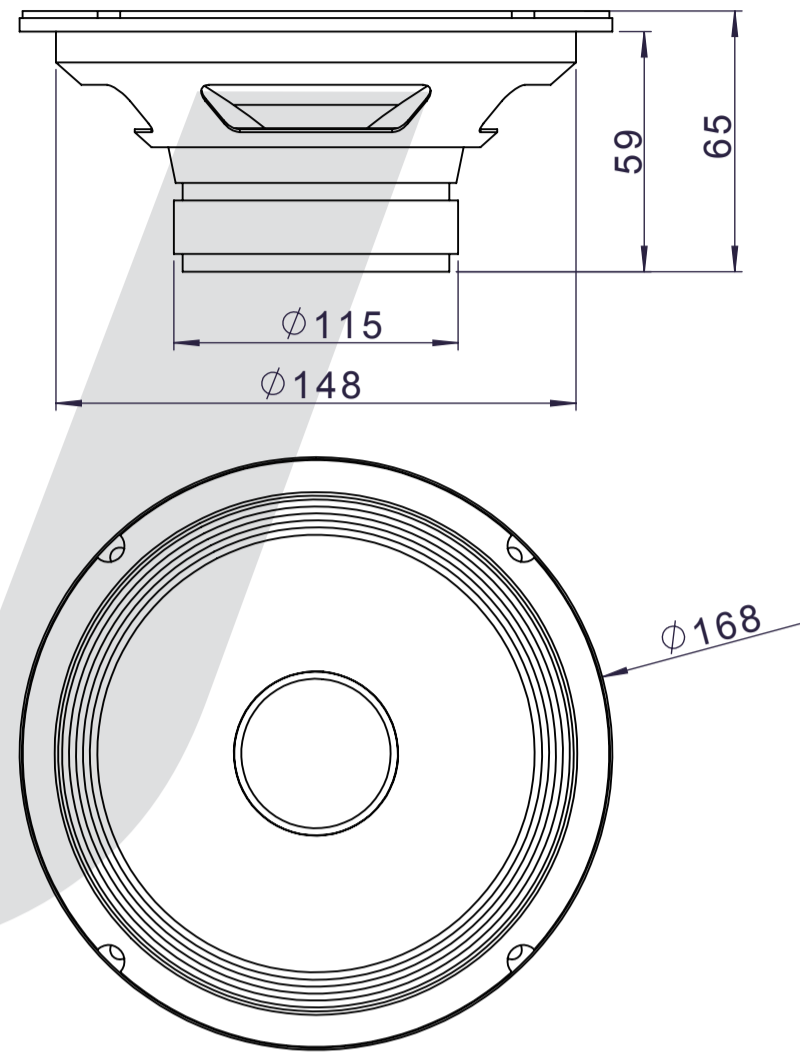


JAMESON[®]

JMD-652SPL

Owner's Manual

Dimensions

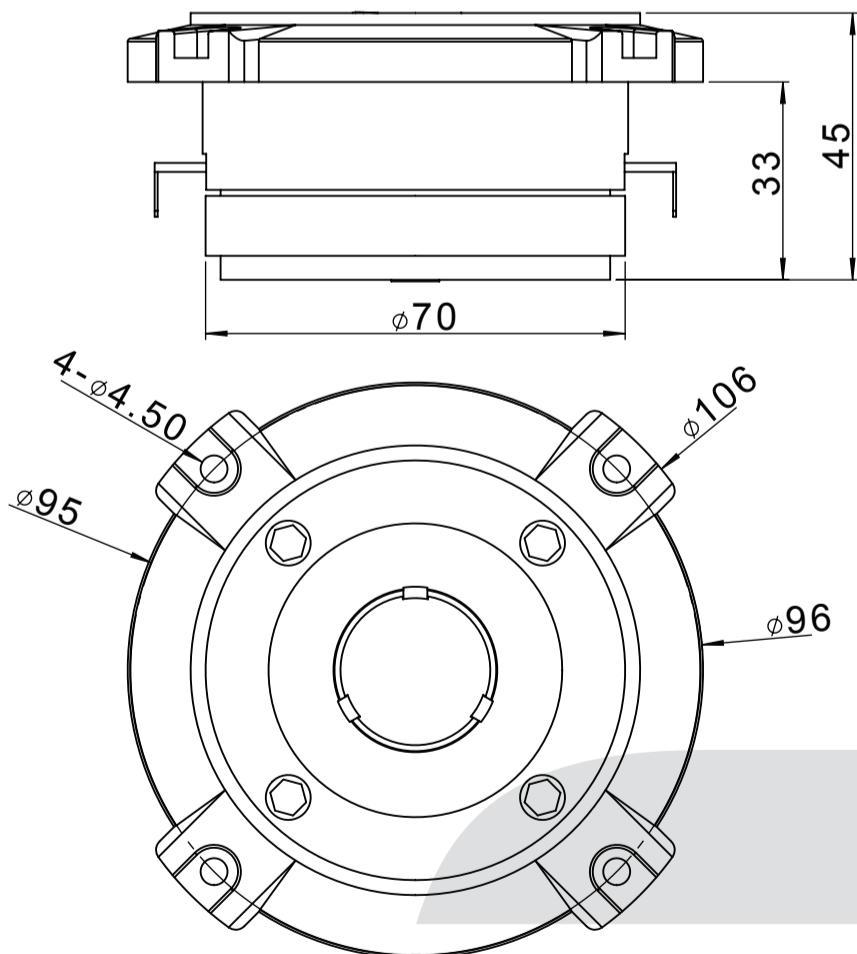


JMD-652SPL MIDRANGE

148*210mm

148*210mm

Dimensions



JMD-652SPL TWEETER

148*210mm

Specifications

General Data		Midrange Speaker	Tweeter
Type		Midrange Speaker	Tweeter
Overall Dimensions	D×H	168mm*65mm	96mm*45mm
Nominal Power Handling	P	100W	150 W
Transient Power 10ms		200W	300 W
Sensitivity	dB	95.2	103 dB
Frequency Response		110-6KHz	2.5K -20KHz
Cone Material		Paper	Aluminum
Net Weight	Kg	1.71	0.69kg
Electrical Data			
Nominal Impedance	Z	4	4.0 Ohms
DC Resistance	Re	3.2	3.2 Ohms
Voice Coil and Magnet Paramet			
Voice Coil Diameter	DIA	38.6	25.4mm
Voice Coil Height		10.5	1.2 mm
HE Magnetic Gap Height	HE	6	4 mm
Max.Linear Excursion	X	2.25	
Voice Coil bobbin		kapton	Kapton
Voice Coil Wire		SV	CCAW
Number Of Layers		2L	2 L
Magnet System Type		High Fiux Ferrite	High Flux Ferrite
BL Product	BL	7.04	
T-S Parameters			
Suspension Compliance	Cms	0.18 mm/N	
Mechanical Q Factor	Qms	7.54	
Electrical Q Factor	Qes	0.5	
Total Q Factor	Qts	0.47	
Moving Mass	Mms	10.68 Gr	
Eq.Cas Air Load(liters)	VAS	4.44Lit	
Resonant Frequency	Fs	110hz	2.6kHz
Effective Piston Area	SD	132.7 CM ²	



148*210mm