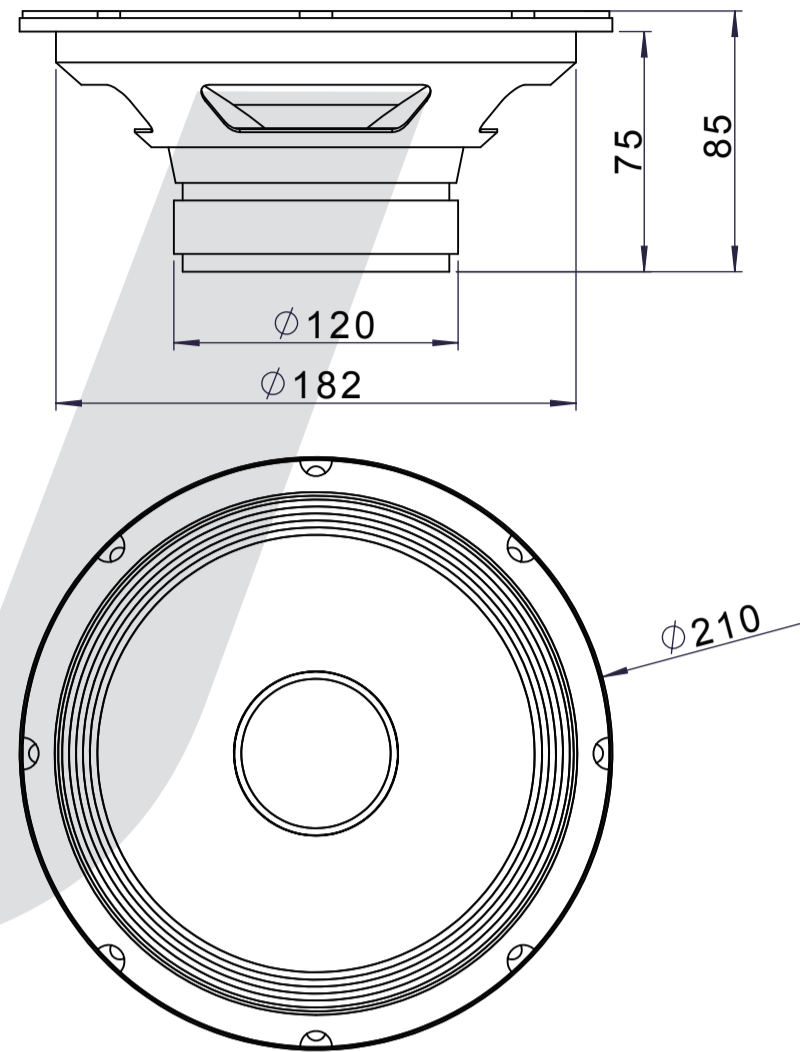


# JAMESON®

## JMD-802SPL

### Owner's Manual

#### Dimensions

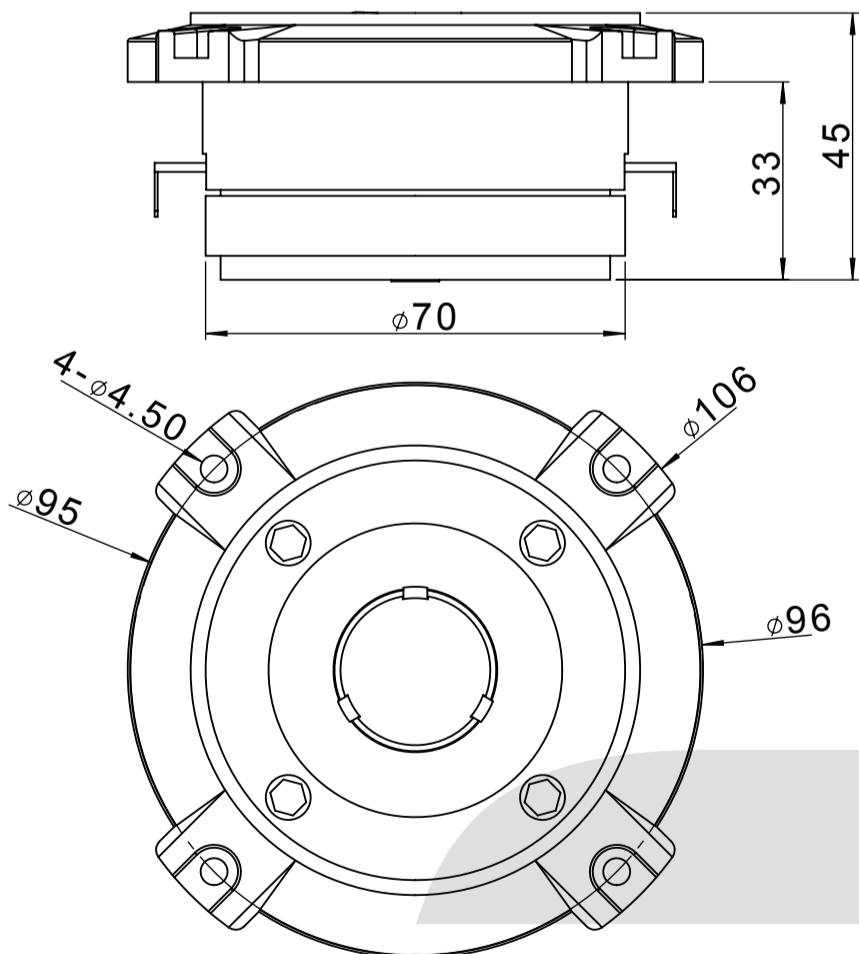


JMD-802SPL MIDRANGE

148\*210mm

148\*210mm

#### Dimensions



JMD-802SPL TWEETER

148\*210mm

#### Specifications

General Data			Unit
Type	Woofers	Tweeter	
Overall Dimensions	210*85	96*45	mm
Nominal Power Handling	150	120	W
Transient Power 10ms	300	240	W
Sensitivity	94.2	103	dB
Frequency Response	94-9K	2.5K-20K	Hz
Cone Material	Paper	Aluminum	
Net Weight	1.62	0.69	kg
Electrical Data			
Nominal Impedance	4	4	Ohm
DC Resistance	3.2	3.2	Ohm
Voice Coil and Magnet Parameters			
Voice Coil Diameter	38.6	25.4	mm
Voice Coil Height	8.4	2.3	mm
HE Magnetic Gap Height	6	4	mm
Max. Linear Excursion	1.2		mm
Voice Coil bobbin	KAPTON	Kapton	
Voice Coil Wire	CCAW	CCAW	
Number Of Layers	2	2	layers
Magnet System Type	High Flux Ferrite	High Flux Ferrite	
BL Product	5.76		N.A
T-S Parameters			
Suspension Compliance	Cms	0.25	
Mechanical Q Factor	Qms	6.04	
Electrical Q Factor	Qes	0.66	
Total Q Factor	Qts	0.6	
Moving Mass	Mms	11.52	
Eq. Cas Air Load( liters)	VAS	16.9	Liter
Resonant Frequency	Fs	94	2K Hz
Effective Piston Area	SD	221.6	cm <sup>2</sup>



148\*210mm